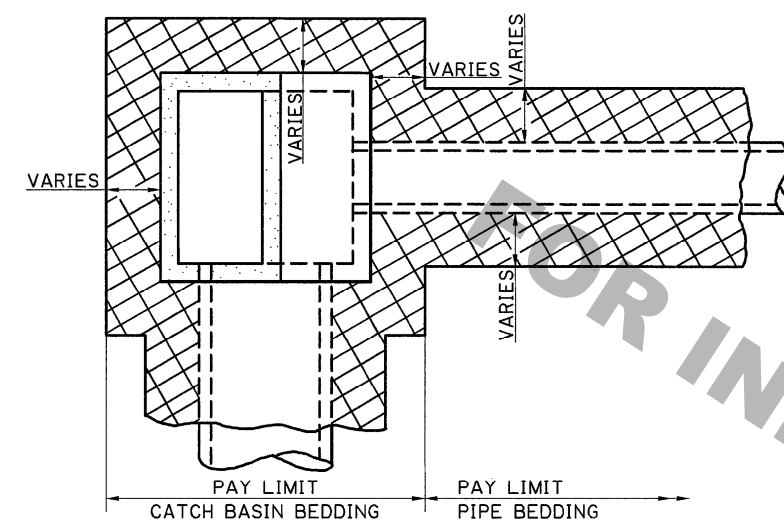
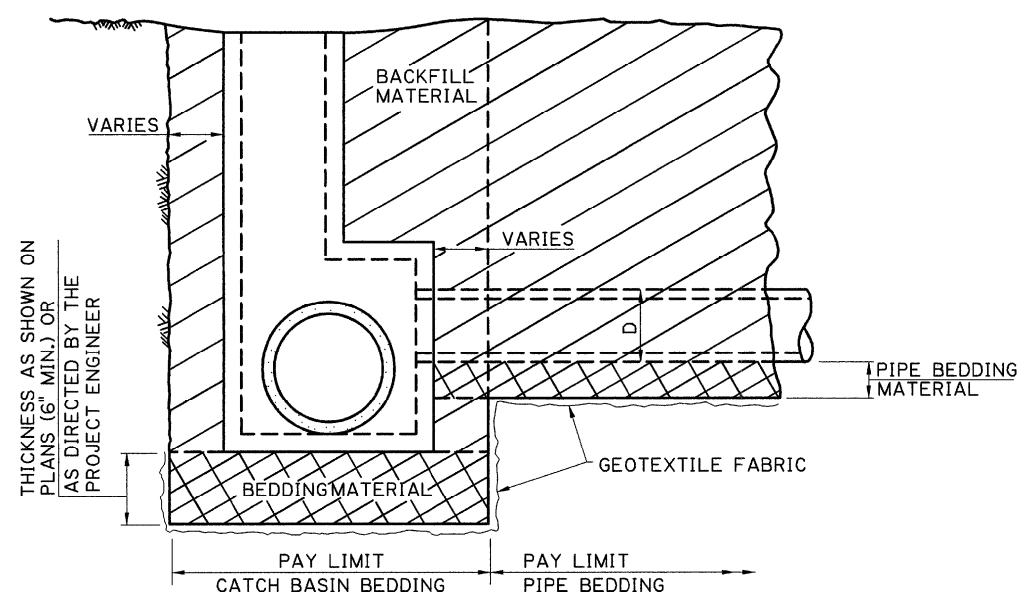


TYPICAL CATCH BASIN AND STORM SEWER PIPE INSTALLATION WITH BEDDING MATERIAL

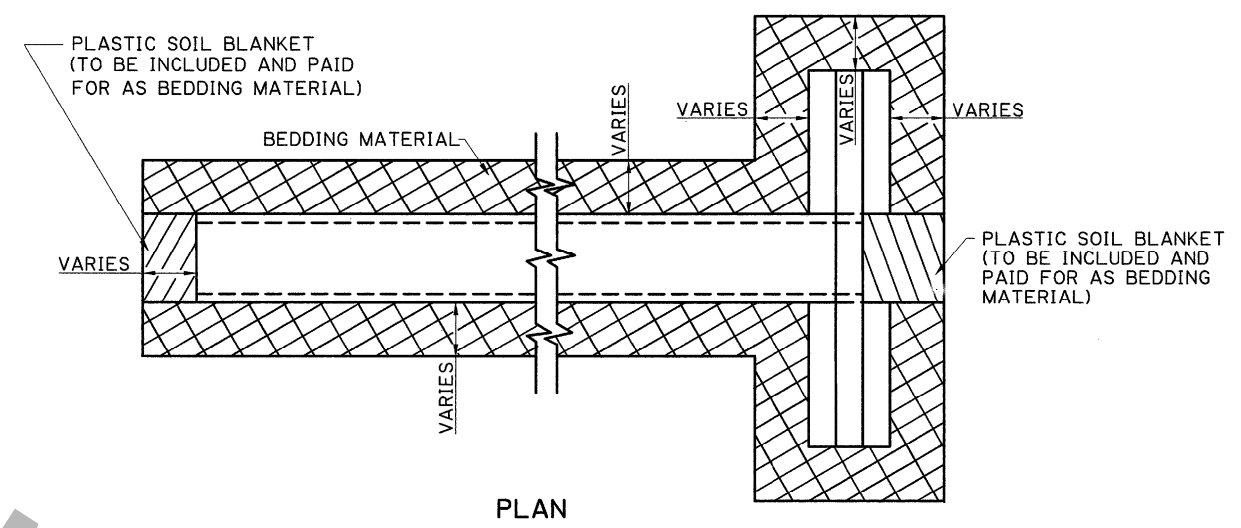


PLAN OF TYPICAL CATCH BASIN (MANHOLE OR JUNCTION BOX) AND PIPE

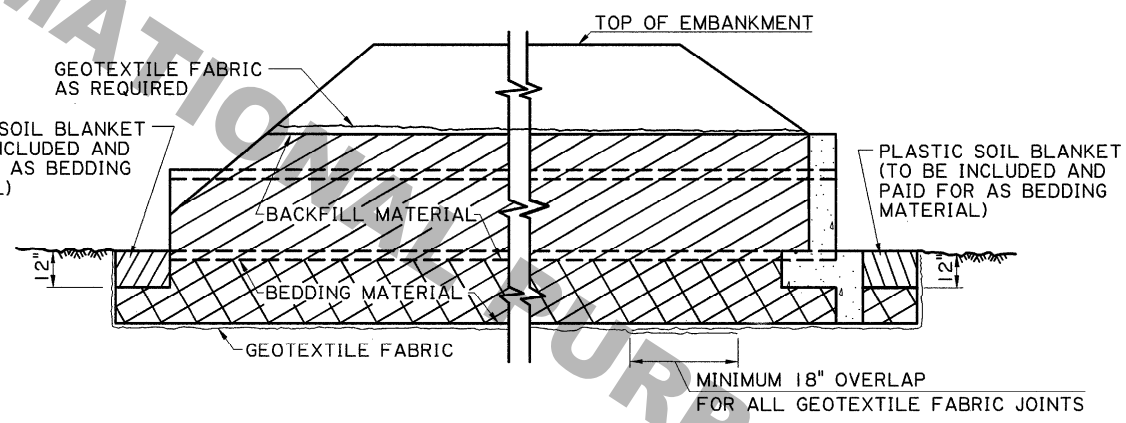


PROFILE OF TYPICAL CATCH BASIN (MANHOLE OR JUNCTION BOX) AND PIPE

TYPICAL CROSS DRAIN INSTALLATION WITH BEDDING MATERIAL

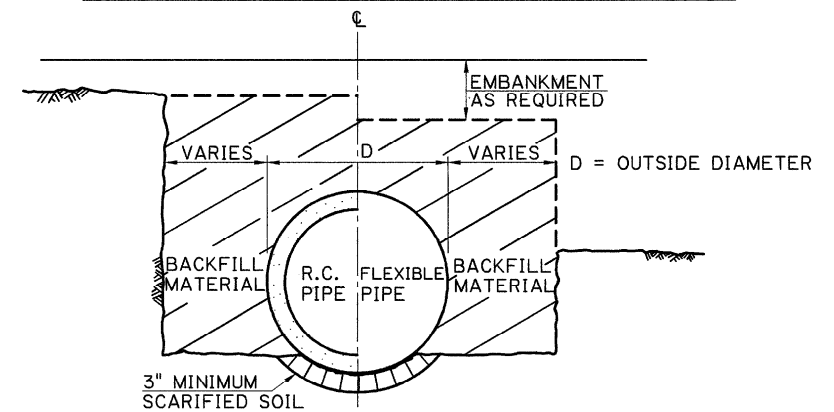


PLAN



PROFILE

TYPICAL PIPE INSTALLATION WITHOUT BEDDING MATERIAL



SECTION THRU TRENCH/EMBANKMENT

HALF-SECTION SHOWING TOP OF PIPE GREATER THAN 12" BELOW ORIGINAL GROUND (TRENCH INSTALLATION)

HALF-SECTION SHOWING TOP OF PIPE ABOVE ORIGINAL GROUND (EMBANKMENT INSTALLATION)

GENERAL NOTES

1. CONSTRUCTION SPECIFICATIONS: LATEST APPROVED LA DOTD STANDARD SPECIFICATIONS
2. STANDARD DOTD PIPE INSTALLATION, BEDDING, BACKFILL (TYPE "A" OR "B") AND TRENCH WIDTH ARE DEFINED IN SECTIONS 701 AND 726 OF THE LA DOTD STANDARD SPECIFICATIONS.
3. THE NEED AND/OR THE THICKNESS OF BEDDING MATERIAL WILL BE DETERMINED BY THE GEOTECHNICAL SECTION AND WILL BE SHOWN ON THE PLANS. ADDITIONAL BEDDING MATERIAL MAY BE REQUIRED BY THE PROJECT ENGINEER AT NO COST TO THE CONTRACTOR.
4. THE DETAILS ON THIS SHEET DEPICT PAY LIMITS FOR BEDDING MATERIALS. THE BEDDING MATERIAL PAY QUANTITIES ARE TO BE BASED ON THE THEORETICAL NET SECTION WITH NO PIPE DEDUCTIONS.
5. THE BACKFILL IS TO BE MEASURED AND PAID IN ACCORDANCE WITH SECTION 701 OF LA DOTD STANDARD SPECIFICATIONS.
6. BEDDING SHOWN ON THIS STANDARD PLAN CONFORMS TO THE CURRENT AASHTO SPECIFICATIONS.
7. FLEXIBLE PIPE CONSISTS OF ALL CORRUGATED METAL AND PLASTIC PIPE.
8. REINFORCED CONCRETE PIPE AND FLEXIBLE PIPE ARE SHOWN AS TYPICAL STRUCTURES. DETAILS FOR REINFORCED CONCRETE BOX, REINFORCED CONCRETE PIPE ARCH, CORRUGATED METAL PIPE ARCH AND CORRUGATED STRUCTURAL PLATE STRUCTURES ARE SIMILAR.
9. MINIMUM COVER IS 12" FOR ALL PIPE. THERE IS NO MINIMUM COVER REQUIREMENT FOR RCB.

SHEET NUMBER		PARISH		FEDERAL PROJECT		STATE PROJECT	
DESIGNED	CHECKED	DATE	DATE	PAID	DATE	DATE	DATE
JDK	JDK	JDK	JDK	JCM	JCM	JCM	JCM
REVISION TO COMPLY WITH CURRENT SPECIFICATIONS				REVISION DESCRIPTION			
8-22-07				REVISION TO COMPLY WITH CURRENT SPECIFICATIONS			
1-8-07				ADDED FINAL AND INITIAL BACKFILL			
7-11-05				REDRAFTED, REVISED FOR TYPE A & B BACKFILL			
APPROVED BY				DATE			
CHIEF ENGINEER: <i>W. H. Temple</i>				DATE: 8-22-07			
BEDDING AND BACKFILL FOR DRAINAGE STRUCTURES							
HYDRAULICS SECTION							